

General Guideline of ZTS RF Microwave mmWave Components



ZTS Technologies Co., Ltd
www.zts-tech.com

Company introduction

ZTS Microwave factory was established in 2002, Shanghai China, specialized in attenuator chips, power resistors, attenuators & terminations up to 67GHz. In 2006 ZTS Technologies was created in Shenzhen as an independent marketing centre to develop international business. With the expansion of engineer team, power dividers up to 50GHz, couplers up to 40GHz, isolators & circulators up to 40GHz, filters up to 40GHz, DC blocks from 9KHz to 26.5GHz and coaxial detectors up to 18GHz, cable assemblies up to 67GHz were launched to meet the market demand, all with higher cost performance

Due to high quality and higher cost performance, ZTS brand has been accepted by customers from around the globe (United states, Canada, Most of European countries, Australia/New Zealand, Japan, Singapore, India, Israel, Turkey etc.)

In July 2019, ZTS acquired a part of Qualink Microwave that was established by experienced engineers in 2010 in Chengdu China, providing microwave, mmWave devices, modules and systems like: Frequency sources, Amplifiers, Digital attenuators, Switches, Phase shifters, Mixers, Limiters, Equalizers, Isolators/Circulators, Frequency Multipliers/Dividers, Vector modulators etc.

We have been and will always be committed to customer satisfaction by providing high quality, higher cost performance niche products and quick response service.

ZTS Technologies Team always do the best to serve you

Fast Delivery

Attenuators/Loads/DC Blocks/Detectors: 1-2 weeks ARO

Power Dividers/Couplers/Filters: 3-4 weeks ARO

Isolators/Circulators: 2-3 weeks ARO

Cable Assemblies: 2-4 weeks ARO



Quality Control

All the components from ZTS Technologies are manufactured under ISO 9001:2008 and meet the requirement for RoHS directive 2011/65/EU issued June 8, 2011.

ZTS warrants all the components for a limited period of one year from the date of shipment against defects in workmanship or material or failure to operate as described in product datasheets under normal use. Alteration of the products, cases of misuse, acts of God, or damage will invalidate the warranty



Fixed Coaxial Attenuators

Power Range:

2W, 5W, 10W, 15W, 20W, 25W, 30W, 35W, 50W, 70W, 80W, 100W, 150W, 200W, 250W, 300W, 400W, 500W, 600W, 1000W.

Frequency Range:

DC-6Ghz, DC-8.5Ghz, DC-12.4Ghz, DC-18Ghz, DC-27Ghz, DC-40Ghz, DC-50Ghz, DC-67Ghz

Attenuation Range: 1-60 dB

Connectors Option:

1.85mm, 2.4mm, 2.92mm, 3.5mm, SMA, N, TNC, BNC, 4.3-10, 7/16, QMA

Heatsink Options: Round, Square, Custom Design

Cooling Methods: Conduction Cool, Convection Cool



Fixed Coaxial Terminations

Power Range:

2W, 5W, 10W, 15W, 20W, 25W, 30W, 35W, 50W, 70W, 80W, 100W, 150W, 200W, 250W, 300W, 400W, 500W, 600W, 1000W.

Frequency Range:

DC-6Ghz, DC-8.5Ghz, DC-12.4Ghz, DC-18Ghz, DC-27Ghz, DC-40Ghz, DC-50Ghz, DC-67Ghz

Connectors Option:

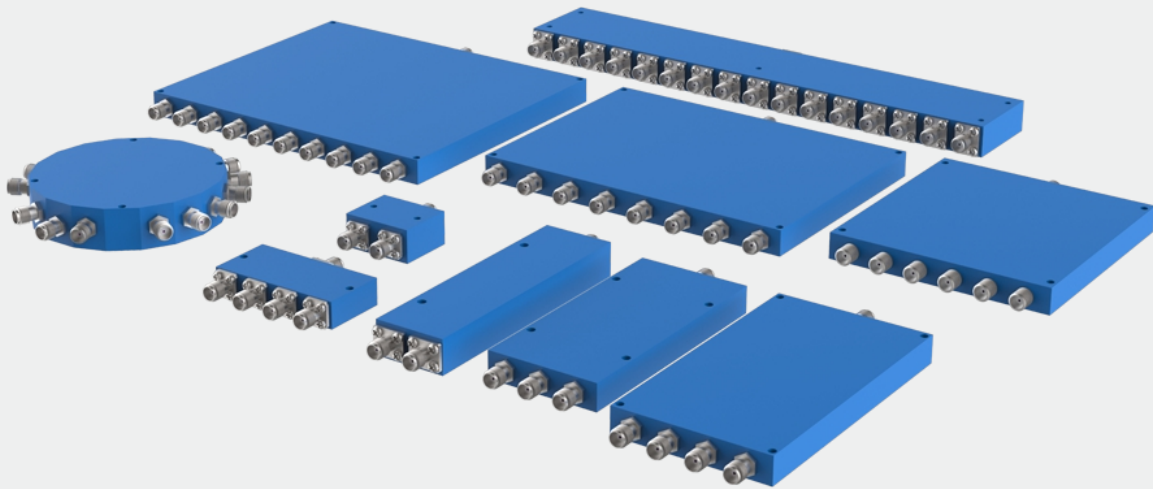
1.85mm, 2.4mm, 2.92mm, 3.5mm, SMA, N, TNC, BNC, 4.3-10, 7/16, QMA

Heatsink Options:

Round, Square, Custom Design

Cooling Methods:

Conduction Cool, Convection Cool



Power Dividers

Output Ways:

2Ways, 3Ways, 4Ways, 5Ways, 6Ways, 8Ways, 9Ways, 10Ways, 12Ways, 15Ways, 16Ways, 20Ways, 22Ways, 32Ways

Frequency Range:

DC-6Ghz, DC-10Ghz, DC-18Ghz, DC-40Ghz.....

0.5-40GHz, 1-18GHz, 2-4GHz, 2-8GHz, 2-18GHz, 2-40GHz, 2-50GHz.....

Customized Frequency Range and outlines

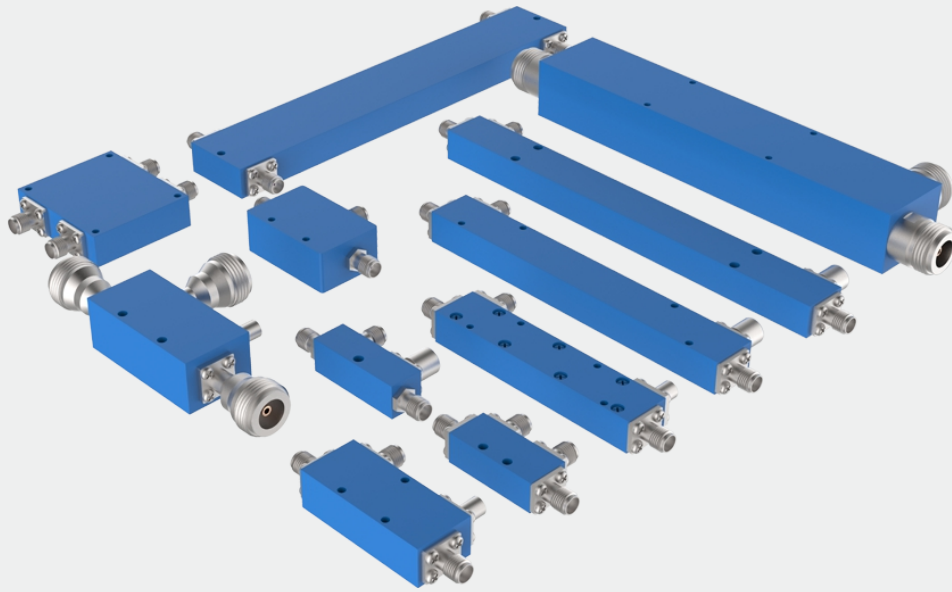
Connectors Option:

2.4mm, 2.92mm, SMA, N, 7/16

Types:

Resistive & Reactive

Free & Quick Custom Design is Available



RF Couplers

Coupler types:

Directional Couplers, Dual Directional Couplers, 3dB 90 degree Hybrid Couplers, 3dB 180 degree Hybrid Couplers, High Power Couplers

Frequency Range:

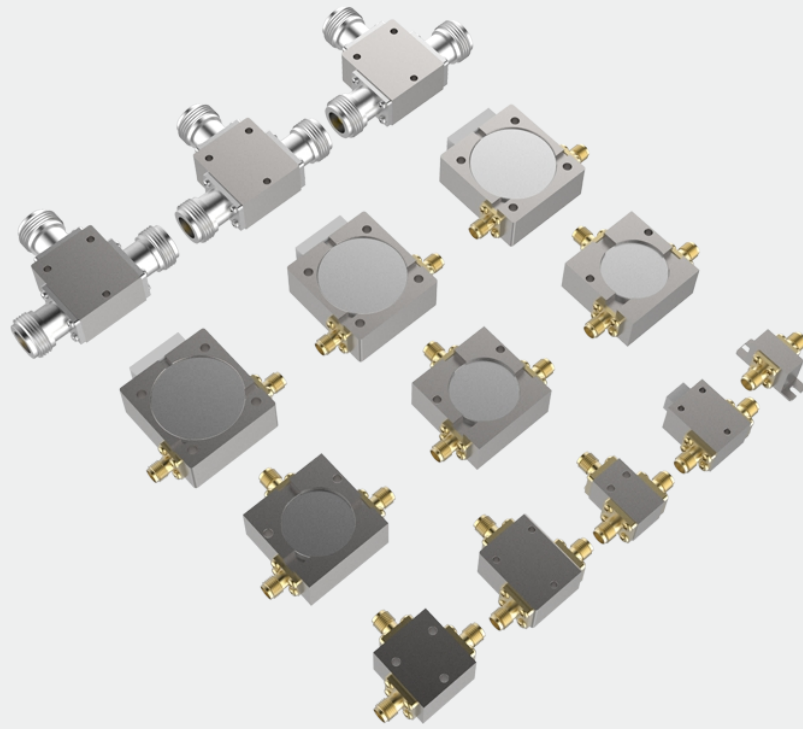
0.5-40GHz, 1-18GHz, 2-4GHz, 2-8GHz, 2-18GHz, 2-40GHz.....

Customized Frequency Range and outlines

Connectors Option:

2.4mm, 2.92mm, SMA, N, 7/16

Free & Quick Custom Design is Available



Isolators & Circulators

Types:

Coaxial, Drop-In, Wide Band, VHF, UHF, Surface Mount

Frequency Range:

Starting from 20MHz to 40GHz

Connectors Option:

2.92mm, SMA, N

Free & Quick Custom Design is Available



RF Cable Assemblies

Cable Assemblies Types:

High Temperature & Anti Torsion

Low Loss & Phase Stable

Basic & Economical

Low Loss Semi-rigid

Ultra Flexible Pendulous

Economical

Flexible & Economical

Micro Coaxial

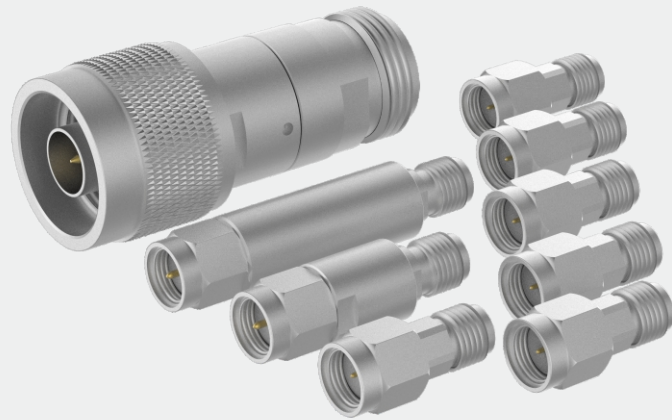
High Precision Test Cable

Durable Test Cable

Frequency Range: DC-6GHz, DC-18GHz, DC-26.5GHz, DC-40GHz, DC-50GHz, DC-67GHz

Connector Options: 1.85mm, 2.4mm, 2.92mm, 3.5mm, SMA, SSMA, SSMP, SMP, N, TNC

Free & Quick Custom Design is Available



Test Accessories

Inner type DC Block (Outer Type is not available)

Frequency Range: 9KHz-18GHz

Connector Options: SMA, N, BNC, TNC

Coaxial Detector

Frequency Range: 0.01-18GHz

Connector Options: SMA, N

Polarity: Negative & Positive

Ultra High Precision Adapters

In series & Between series

Frequency Range: DC-18GHz, DC-26.5GHz, DC-40GHz, DC-50GHz, DC-67GHz, DC-110GHz

Connector Options: 1.0mm, 1.85mm, 2.4mm, 2.92mm, SMA, SSMA, N, SSMP, SMP, BNC, BMA.....

Free & Quick Custom Design is Available



RF Microwave mmWave Components

- **Fixed Attenuators up to 67GHz**
- **Fixed Terminations up to 67GHz**
- **Power Dividers up to 50GHz**
- **RF Couplers up to 40GHz**
- **Isolators up to 40GHz**
- **Circulators up to 40GHz**
- **Cable Assemblies up to 67GHz**
- **Test Accessories: RF Adapters, DC Blocks, Coaxial Detectors.....**

ZTS Technologies Co., Ltd

sales@zts-tech.com , www.zts-tech.com

+86-755-23212737/+86-185-6622-4563